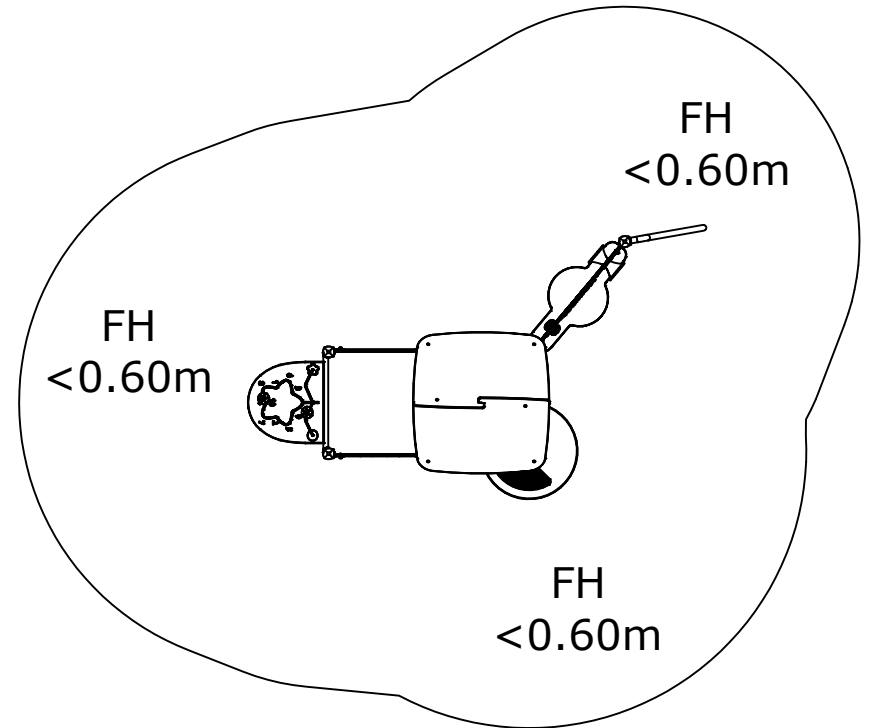
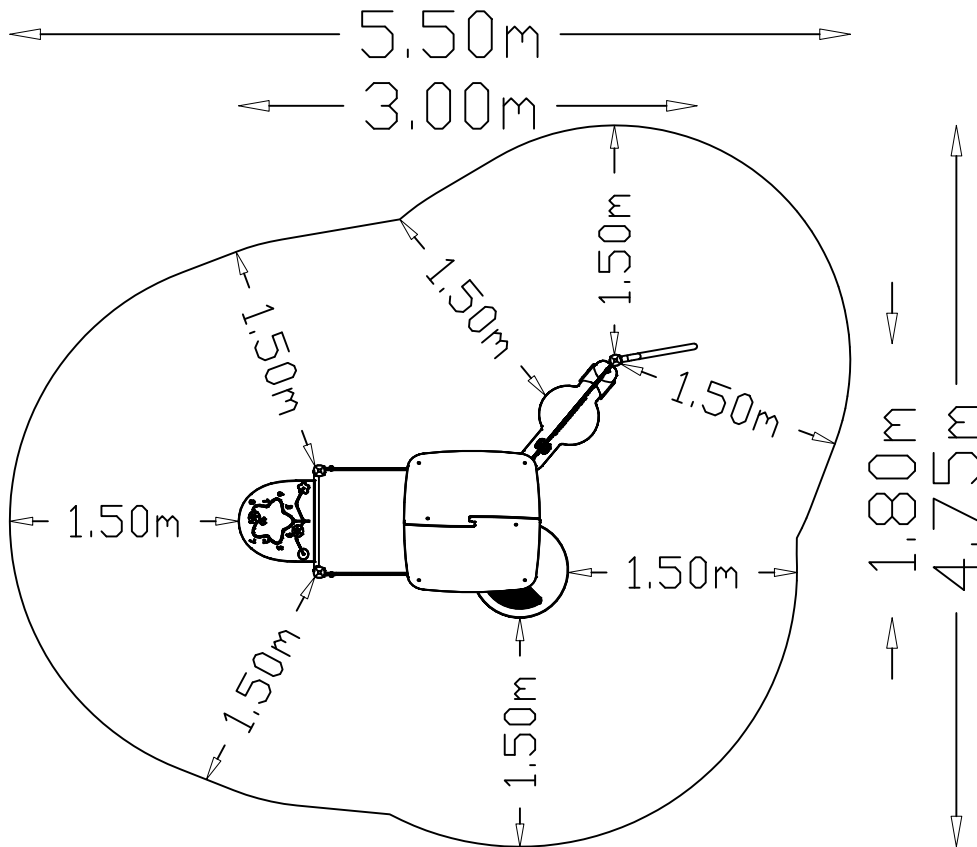
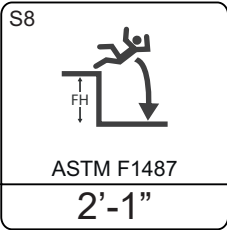
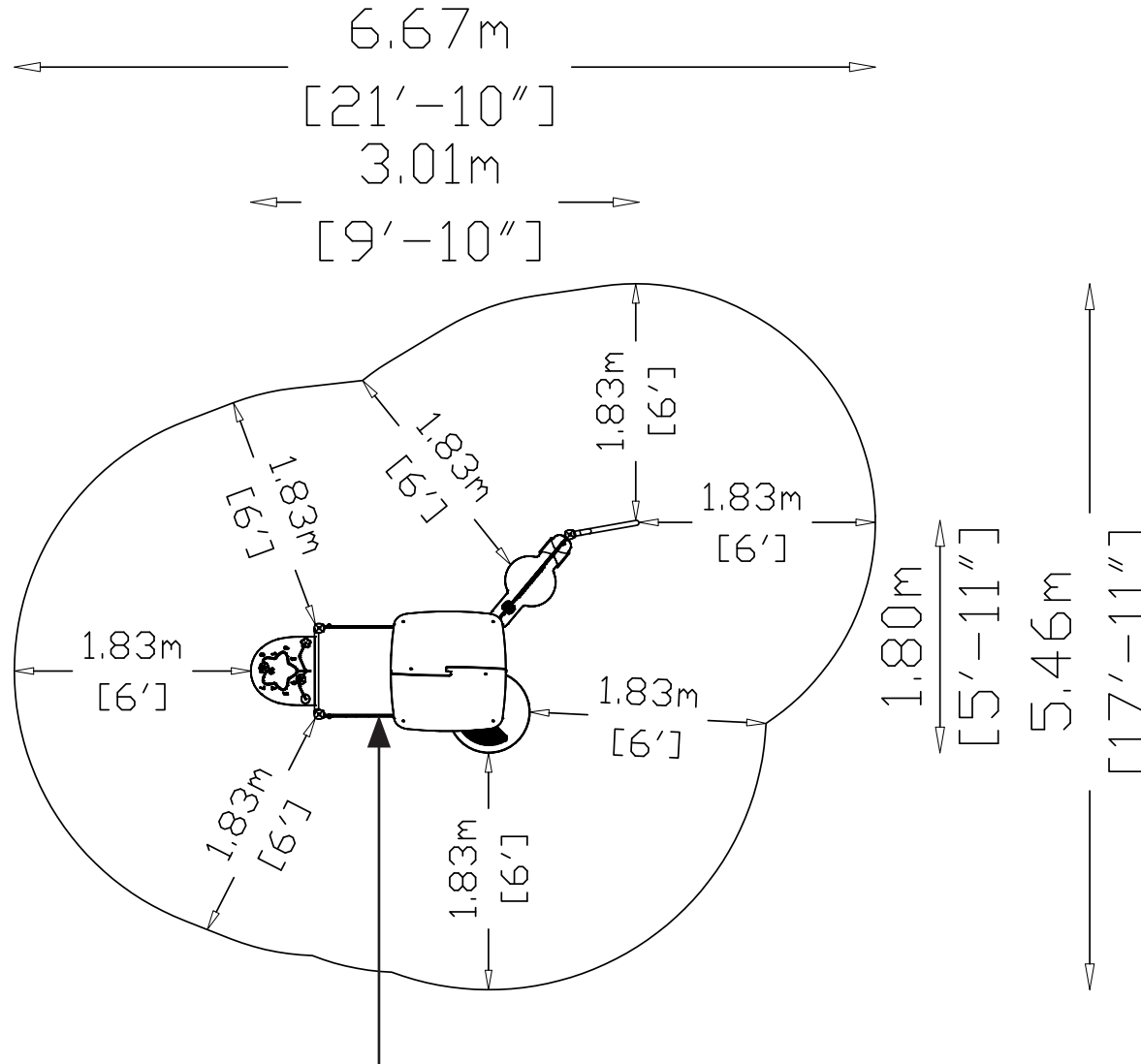


EN1176





ASTM F1487




! INSTALL 101

<p>WARNING Playground equipment must not have surfaces that are excessively smooth or polished, and the surfaces must be free of sharp edges. Check for hot surfaces before allowing children to play.</p> <p>WARNING Children have reported and died from entrapment caught in slides and other playground equipment. Before allowing children to play, remove foreign objects, such as toys, tools, and drawings, and ensure that equipment is properly installed and maintained.</p> <p>WARNING All playground equipment and rubber surfacing must be inspected for proper installation. Check for hot surfaces before allowing children to play. Children should wear appropriate shoes at all times.</p> <p>WARNING Pay attention to warning on all other playground equipment. The equipment should be inspected regularly and maintained as needed.</p>	<p>! play smart! rules</p> <ul style="list-style-type: none"> Do not play on broken or damaged equipment. Do not play without adequate safety supervision. Do not play on slides or other equipment if the surface, condition or drawings should be worn, rusty or damaged. Do not play on or run on playground equipment and its structure if it is damaged. Do not play on swings or any equipment if the seat, chain, ropes, or other equipment is damaged. Do not play on trees or any equipment if the tree is dead, rotten, or on the edge of a hole or a crack. Do not climb on walls, fences, or other equipment. Do not play on or run on playground equipment if the surface is damaged. Do not play on or run on playground equipment if the surface is damaged. Do not play on or run on playground equipment if the surface is damaged. Do not play on or run on playground equipment if the surface is damaged.
--	---

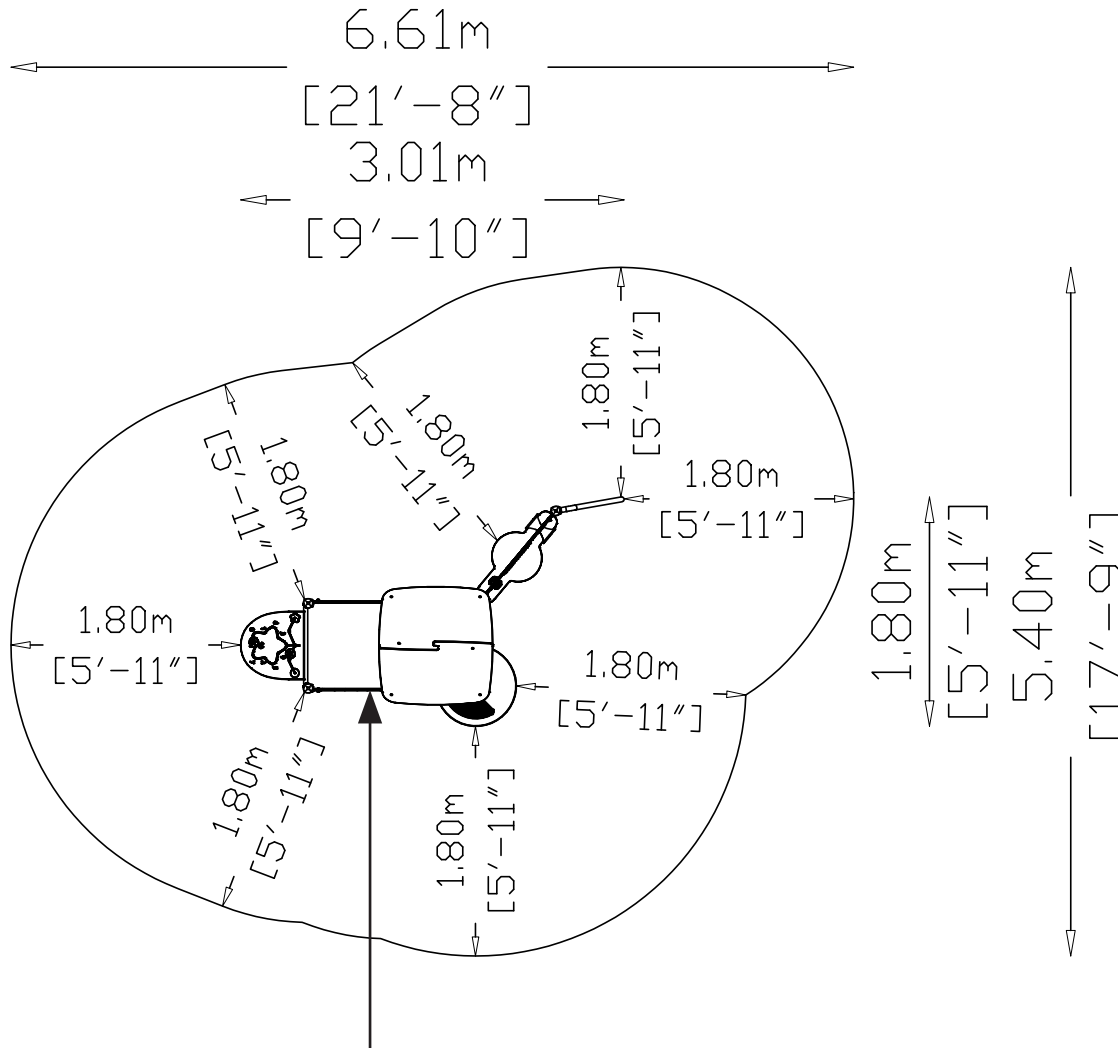
HAGS
FOR KIDS AGES
2-5
YEARS
ADULT SUPERVISION RECOMMENDED
www.hags.com

S9



CSA Z 614
0.62m
[2'-1"]

CSA Z614




WARNING
 Playgroup equipment must not have
 any holes or openings capable of passing
 a ball the size of a child's fist or the ball
 size for that purpose with anything
 it contains unless intended otherwise to play.

WARNING
 Children have reported eye and nose
 injuries caught on slides and other playground
 equipment. Before allowing children to play
 before, during, and after play, check for
 sharp, pointy, or protruding objects
 (e.g., nails, screws, bolts, etc.) and
 remove them.

WARNING
 All playground equipment and rubber surfacing
 must be inspected for damage and repaired
 before use. Check for hot surfaces before allowing children
 to play. Children should wear appropriate
 shoes at all times.

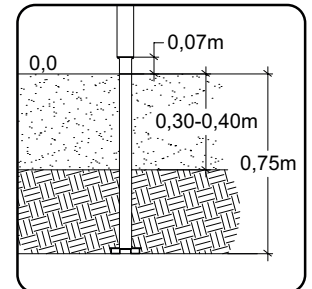
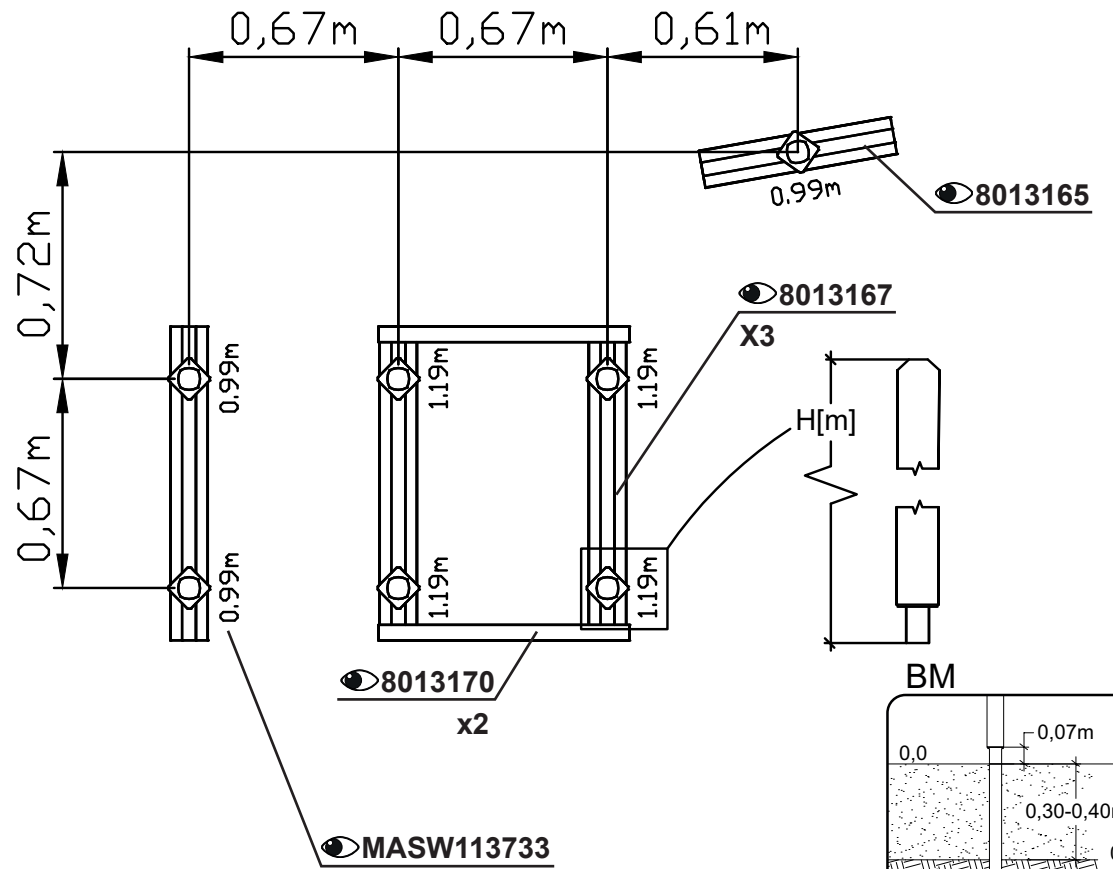
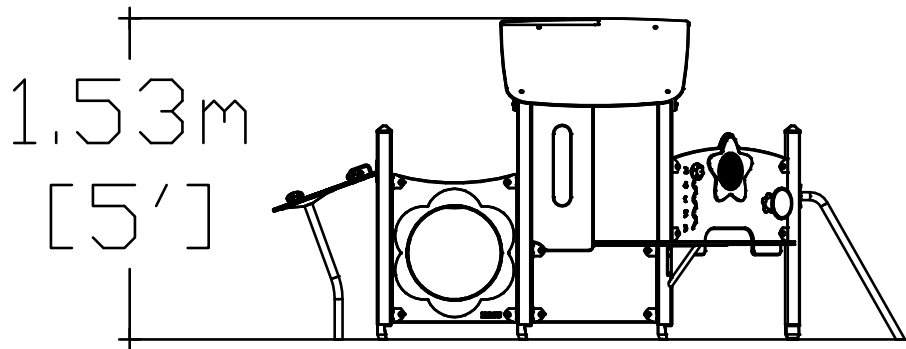
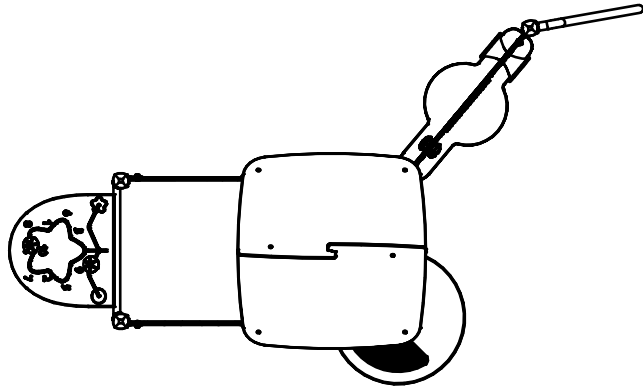
WARNING
 Playing tag or running on or near playground
 equipment can lead to serious injury from
 falls, collisions, and head strikes. Do not
 allow children to play on or near playground
 equipment while playing and be aware of
 playgroup equipment.

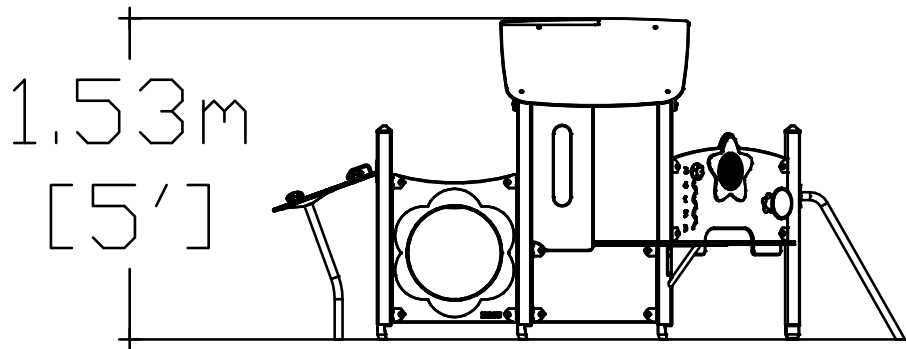
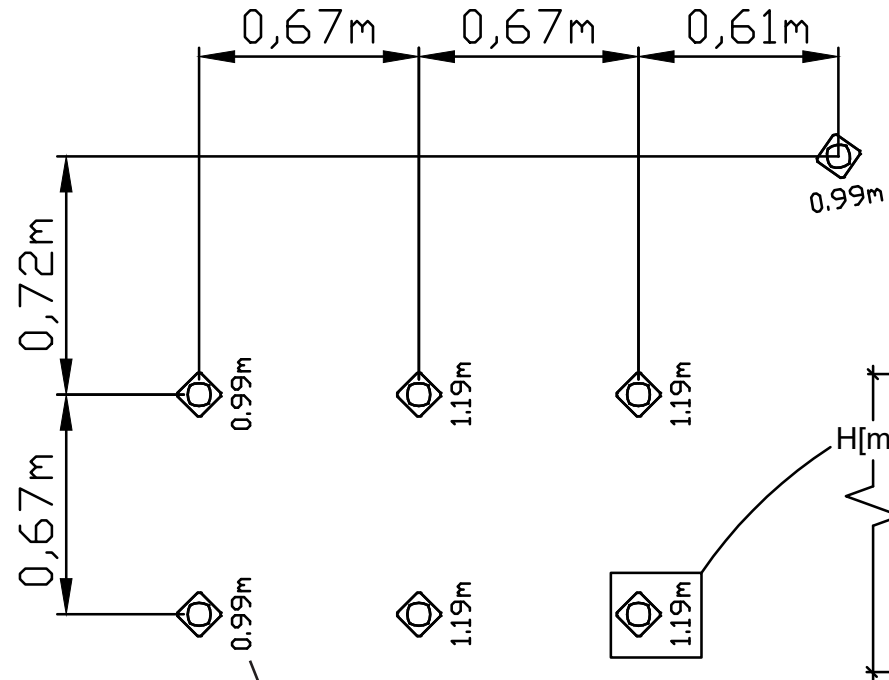
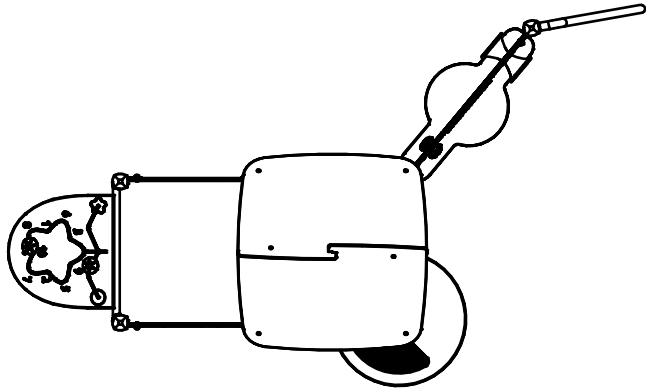
play smart! rules
 Do not play on broken or damaged
 equipment. Report it.
 Do not play without adequate safety
 clothing and proper footwear.
 No talking, laughing or shouting
 should be done while on equipment.
 Do not play on top of equipment and
 do not swing while playing.
 Do not play on slides or run on playground
 equipment and do not run up or
 down slides.
 Do not play on equipment in wet
 weather or on ice or snow.
 Do not play on equipment if
 you are not a member.
 Do not play on equipment if you are
 injured or on top of or near through hole
 or hole.
 Do not play on equipment if you are
 injured or on top of or near through hole
 or hole.
 Do not play on equipment if you are
 injured or on top of or near through hole
 or hole.



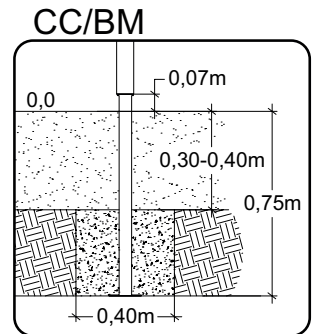
HAGS
 FOR KIDS AGES
18-5
 MONTHS YEARS
 ADULT SUPERVISION RECOMMENDED
 www.hags.com

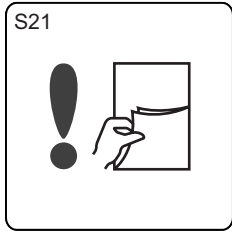
802935



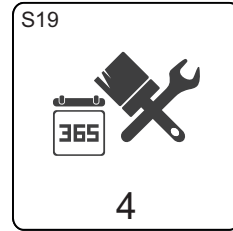
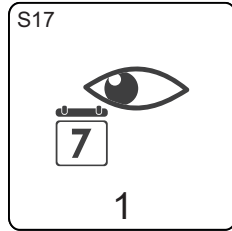
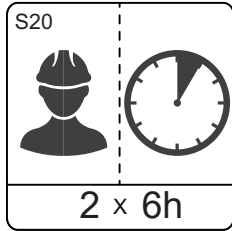


MASW113733

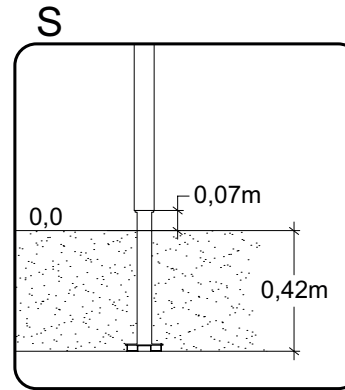




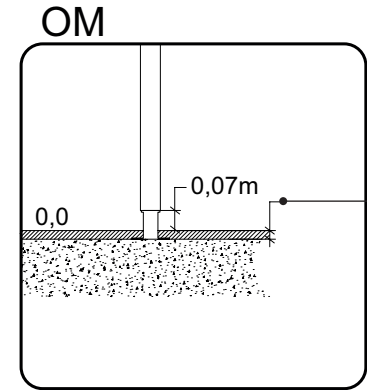
Install 101
6099
6762
6844
260329
622911
620913
641307
641407
6211 01
6213 01
MASW113733
MASW39314
MAUSW117646
MAUSW117648
MAUSW117650



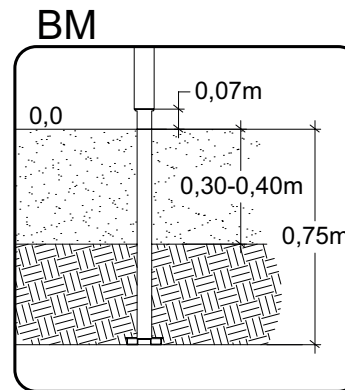
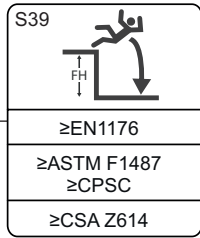
MASW113733



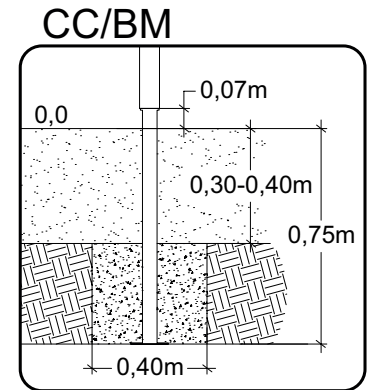
S
Sunken Foundation



OM
Above Ground



BM
Loosefill
 8112133



CC/BM
Cast Loosefill
 8112133

